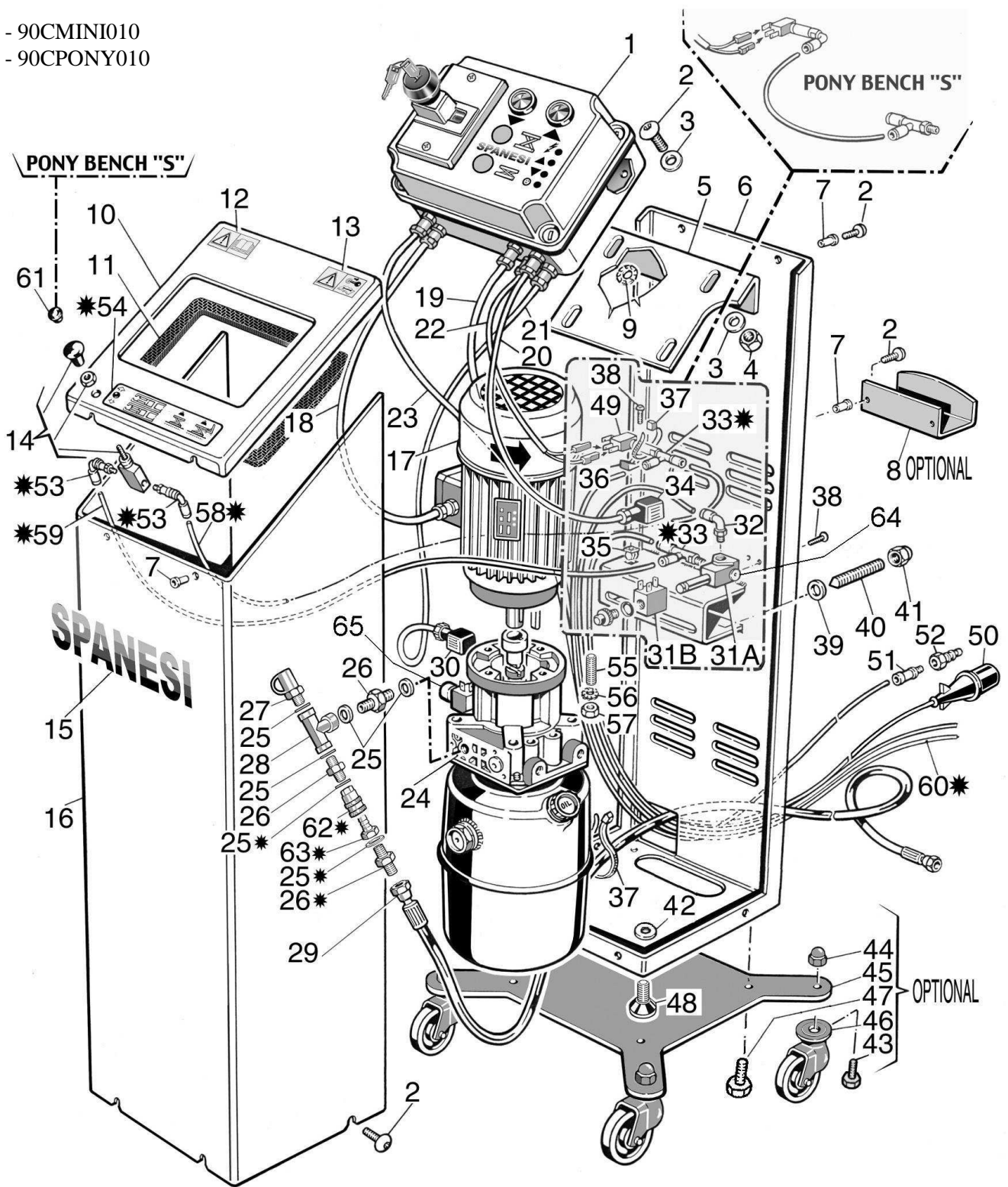


CODICI 90 DI RIFERIMENTO

- 90CMINI010
- 90CPONY010



CODE		DESCRIPTION		
EX000320		Control Unit Minibench - Ponybench		
REV.	A05	DATE last rev.	13.01.05	Note

POS.	Qta'	CODICE	DESCRIZIONE
1	1	50101258	ELECTRIC BOX 400V 50/60Hz MINI/PONY.
2	15	10030400	SCREW TBEI M6x16 Zn WHITE
3	7	10032508	FLAT WASHER D.6x12 DIN 125/A Zn WHITE
4	4	10031016	NUT E M6 UNI 5588 Zn WHITE
5	1	70104305	SUPPORT BUTTON- PANEL VERN. RAL1023.
6	1	70205055	BACK CONTROL UNIT VERN. RAL1023.
7	13	10031314	INSERT TC M6-030 L=12.5 RK01.
8*	1	70104366	CABLE REEL VERN. RAL1023.
9	1	10032108	EXTERNAL WASHER D.6-13 DIN 6798-A.
10	1	70104361	COVER LIFT CONTROL UNIT VERN. RAL1023.
11	1m	10053008	BLACK ADHESIVE RUBBER 10X3
12	1	10041028	ADHESIVE "SEE ISTRUCTIONS"
13	1	10041029	ADHESIVE "SEE MAINTENANCE"
14	1	10037371	BUTTON 105.32.8/2 BLACK 2 POS ST.
15	1	10041001	ADHESIVE SPANESI BIG 258x47mm.
16	1	70104303	COVERING FOR CONTROL BOX.
17	1	50102476	ENGINE HP 2 230/400V 3F B14 1400/G MINIBENCH (T090LA4B14S).
18	1	50104491	CABLE NPI 4x2.5 L=1000mm FOR ENGINE (TIPO3).
19	1	60205470	CABLE NPI 4x1 L=6000 WITH SOT DEVICE (TIPO8).
20	1	60205600	CABLE NPI 2x1 L=700 WITH CONNECTOR 30x20 CR 12 FOR AIR ELECTRIC VALVE (6 TYPE) FOR MINIBENCH/PONYBENCH/LIFT MOD. SL 170
21	1	60205605	CABLE NPI 2x1 L=900 (0/34) WITH CONNECTOR 30x30 CQ 124 FOR OIL EV
22	1	50104494	CABLE NPI 2x1 L=800 FOR SAFETY THERMOSTAT (TYPE7).
23	1	50104490	CABLE NPI 4x2.5 L=3500 FOR POWER SUPPLY (TYPE 1/2).
24	1	10L10006	OLEOD. CONTROL UNIT 50Hz COMPL. MINI./PONY. K383013188.
25	4	10032824	BONDED ¼".
25#	6		
26	3	10037360	NIPPLE ¼-1/4 OLEOD. MINI./PONY./SL170
26#	2		
27	1	10037350	NIPPLE BSP ¼ MALE 3586282 FJ.
28	1	10037296	CONNECTION. "T" ¼ F-F-F OLEOD. MINIBENCH.
29	1	10037362	PIPE R7 TA ¼ L=5000 FD+FD MINI./PONY.
30	1	10037378	CONNECTION 30x30 PER EV CQ 124.
31A	1	10037368	MECC. FOR MICROSOL. 305 M1 NC.
31B	1	10037369	WRAPPING MICROLIFT 24V/50-60
32	1	10037355	CONNECTION 90° D.6 1/8 (0220618).
33**	2	10037348	CONNECTION "T" D.6 1/8 (210618).
34	1	10037370	CONNECTOR 30x20 FOR EV CR 122.
35	1	10031320	BLOCK PLATE art.40021.
36	1	10054984	SCREW COLLAR BASE LEG.032072.
37	2	10054315	COLLARS 7,6X359 LEG. 031932
38	3	10030842	SCREW 3,9x16 DIN 7981B WHITE ZINCED
39	2	10032514	FLAT WASHER D.10 DIN125A Zn WHITE
40	2	10030732	SCREW STEI M10x40 UNI5923 FLAT BLACK
41	2	10031512	NUT AUT. M10x1.5 BASSO Zn NUT
42	4	10031316	INSERT TC M10-035 L=23 RK01 DE13.



**CODE**

EX000320

**REV.**

A05

**DESCRIPTION**

Control Unit Minibench - Ponybench

**DATE last rev.**

13.01.05

**Note**

POS.	Qty	CODE	DESCRIPTION
43*	4	10030078	SCREW TE M12x30 Zn WHITE
44*	4	10031060	NUT E M12 UNI 5721 6.8 Zn WHITE
45*	1	70104304	CONTROL UNIT BASE VERN. RAL1023.
46*	4	10071030	WHEEL GIR. PGA 080/QR.
47*	4	10030560	SCREW TCEI M10x30 UNI 5931 Zn WHITE
48	4	10038322	RUBBER FOOTSIE D.50x10MA.
49	1	10037373	TRANSDUCER 900.18.1/11
50	1	10055255	PLUG 400V 3 POLES+GROUND 16A -
51	1	10063128	CONNECTION . DIR. ¼ PIPE 6-4 010614.
52	1	10037351	RAPID COUPLING 15/A OMNI 1/4F
53**	2	10037347	CONNECTION 90° D.6 MM5 GIR. RAPID (2206M5).
54	1	***	ADHESIVE FOR CONTROL UNIT MINIBENCH O PONYBENCH.
55	4	10030727	SCREW STEI M8x35 UNI5923 BLACK FLAT
56	1	10032010	WASHER GROWER D.8 DIN 127B.
57	4	10031019	NUT E M8 UNI 5588 Zn WHITE
58**	1m	10061252	PIPE RILSAN D.4x6 BIANCO PA12.
59**	4m	10061251	PIPE RILSAN D.4x6 AZZURRO PA12.
60**	7.35m	10061251	PIPE RILSAN D.4x6 AZZURRO PA12.
61	1	10061313	BLACK PLASTIC LID D.13.
62#	1	10060021	RAPID COUPLING IR 06 PF F 1/4
63#	1	10060020	RAPID COUPLING IR 06 PM M 1/4
64	1	10060173	LID 1/8" .
65	1	10063113	ELECTROVALVE MINIBENCH CONTROL BOX EXCEI-NC-EM+S2 24VDC
			(*) OPTIONAL
			(**) ONLY FOR MINIBENCH AND PONYBENCH-T WITH PULL ARM
			(***) FOR MINIBENCH → 10041027 FOR PONYBENCH → 10041058.
			FOR PONYBENCH-S.
			(#) ONLY FOR PONYBENCH



CODE		DESCRIPTION		
EX000320		Control Unit Minibench - Ponybench		
REV.	A05	DATE last rev.	13.01.05	Note

